

MNMS25a 砂辊碾米机

MNMS25a砂辊碾米机主要适用于60-80T大米加工厂使用，特别适合糙米开糙，串联使用可碾制不同精度要求的大米，均能获得良好的工艺和经济效果。

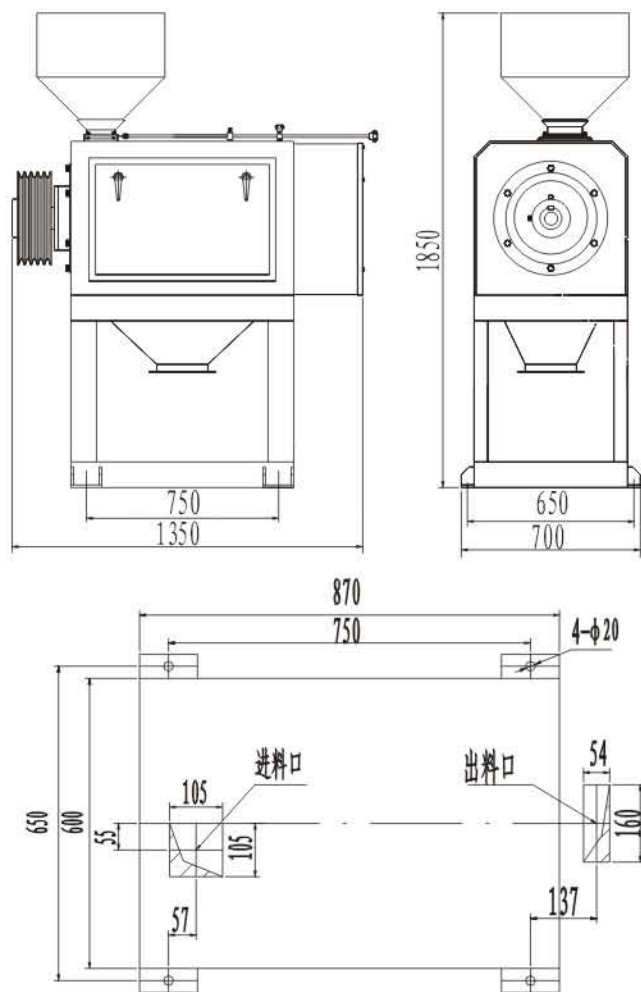
特点

- 生产效率高，安全可靠。
- 独特的主轴、轴承、轴承座及轴承衬套的组合结构，使得各零部件的安装和拆卸更方便、快捷。
- 理想的碾米室可调结构，使操作简便、维修方便。
- 本米机主要适合于配置集中风网的条件下工作。

MNMS25a emery roll whitener is mainly applied to mill rice in rice milling plant of the 60-80T/D, especially for brown rice. When use in series, one can process different degree of rice, and will attain perfect effects technically and economically.

Feature

- High efficiency, safe and reliable.
- Unique combined construction, including main shaft, bearing, bearing housing and bearing bush, make each part conveniently install or disassemble.
- Perfect adjustable construction for polishing chamber, easy operation, convenient maintenance.
- It is mainly suited to work under the circumstances of central exhaust system.



(外形尺寸与地脚安装图)

主要技术参数

型 号 Type	MNMS25a
处 理 量 Output(t/h)	2.5 ~ 3.5
动力配备 Power(kW)	30 ~ 37
外型尺寸 Dimensions (L×W×H)mm	1350×700×1850
机 重 Weight不含电机(kg)	500

通过ISO9001国际标准质量体系认证

E-mail: yongxiangmiji@sohu.com <http://www.hbyxlj.com>

地址：湖北省安陆市府河大道8号

ADD: 8 FUHE AVE. ANLU CITY, HUBEI, CHINA

电话(TEL): 0712-5254443 5254445 5258762 传真(FAX): 0712-5254443 邮编(POSTCODE): 432600