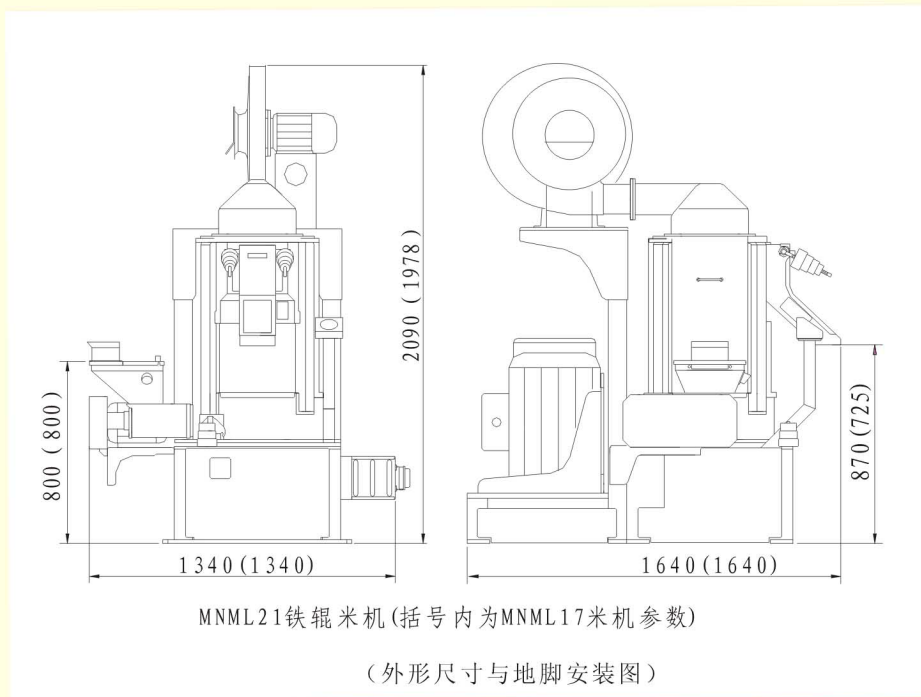


## MNML 立式铁辊碾米机

MNML系列立式铁辊碾米机，在引进国外先进碾米技术基础上，结合中国国情和用户的需求，经过精心设计、优化完善的新一代产品，是碾米工厂加工粳米较理想的设备。

### 特点

- 采纳国际标准，选用进口元件，采用先进制造工艺，创造出新一代美观、耐用的新型米机。
- 碾米机内的耐磨件达到国际水平，耐用，少维修。
- 装有电流和负压显示装置，多位风门调节装置，使用方便可靠。
- 本机加水泵后可以作为着水碾米抛光使用。
- 采用绞龙强制进料，流量稳定。本机为下进料、上出料结构，用本机可以不用提升设备。



Designed in the light of the requirements of client, the specific local conditions in China as well as on the basis of overseas advanced techniques of rice milling, MNML series vertical iron roll whitener are proven to be perfect Short-grain rice processing equipment for rice milling plant.

### Feature

- Good appearance and durable, with adopting international standard, imported parts, advanced manufacturing technology.
- Wear parts have met international standards, durable and less service.
- Equipped with current and negative pressure indicator and multiposition air gate adjustment as well, convenient to use and reliable.
- After equipped with water pump, it can be regarded as water adding polisher.
- Use auger to feed forcibly, thereby flowing steadily. Adopt the construction of under-side feed and top discharge, elevator saving.

### 主要技术参数

型号Type		MNML17	MNML21
处理量Output (t/h)		2.5 ~ 3.5	4 ~ 5
动力配备 (kw) Power	主电机 Main Power	30 ~ 37	37 ~ 45
	进料绞笼电机 Auger Power	1.5	1.5
	喷风风机电机 Turbo fan Power	2.2	2.2
外形尺寸Dimensions (mm) L×W×H		1640×1340×1978	1640×1340×2090
机重Weight (kg) 不含电机		≈ 1010	≈ 1100

### 通过ISO9001国际标准质量体系认证

E-mail: yongxiangmiji@sohu.com <http://www.hbyxlj.com>

地址: 湖北省安陆市府河大道8号

ADD: 8 FUHE AVE. ANLU CITY, HUBEI, CHINA

电话(TEL): 0712-5254443 5254445 5258762 传真(FAX): 0712-5254443 邮编(POSTCODE): 432600